

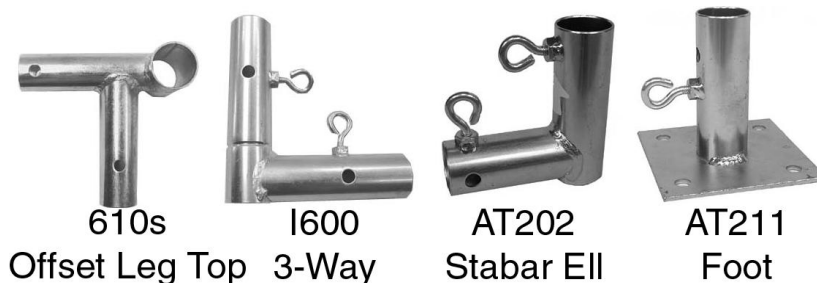
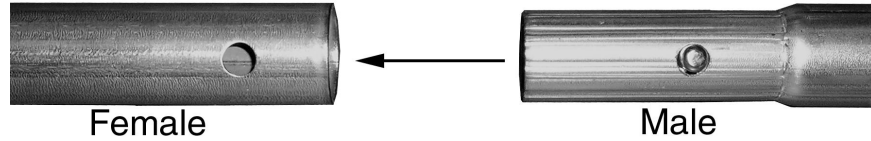
FRENCH WALL FRAME FOR INDOOR FRAME

INSTRUCTIONS FOR ASSEMBLY

NOTE: Review these instructions **before** assembling your Mesh Panel booth frame. The Offset Leg Top joint (pictured below) must be installed as you set up your booth frame.

Parts List:

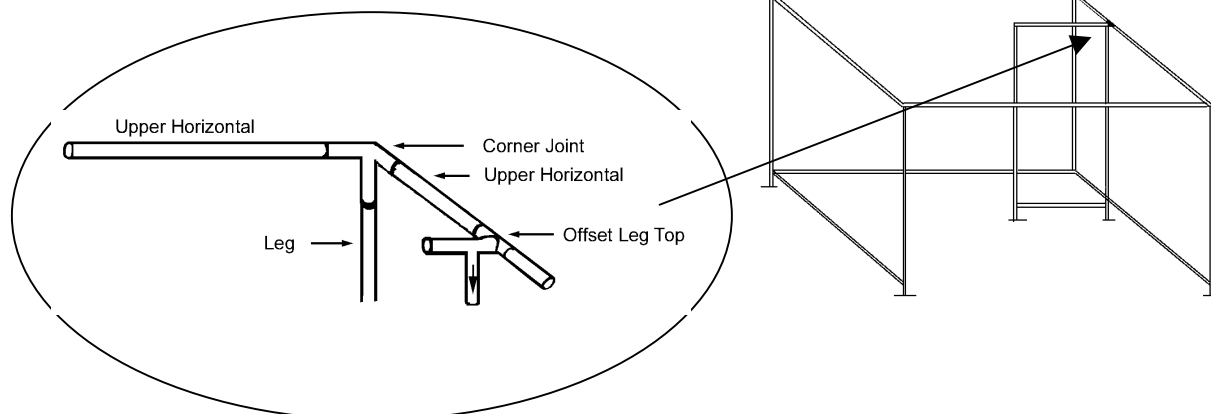
- (1) Ell Joint
- (2) Stabar Ell
- (1) Offset Leg Top Joint
- (2) Feet
- (9) Thumbscrews
- (2) 45 ½" Upper and Lower Stabar poles (coded red)
- (2) 61" male poles
- (2) 23" female poles – leg bottoms (coded Blue) 35" for 8' height



The French Wall Mesh Panel may be set up at any position from the very front of your booth to the very back. More than one French Wall Mesh Panel may be used to increase your display space. The single French Wall Mesh Panel is often set 2- or 3-ft from the rear of the booth to create a closet in which to store inventory, keep equipment, or handle sales.

Setup Instructions:

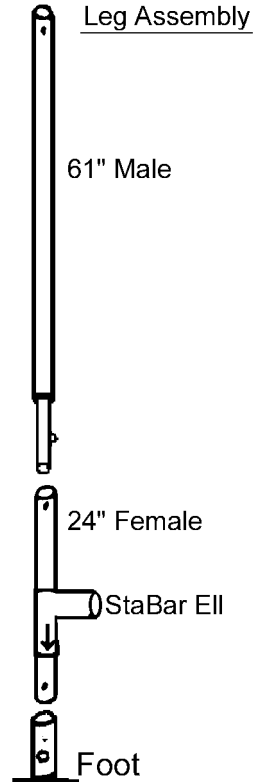
1. At the time you assemble your Mesh Panel frame, slide the Offset Leg Top joint onto the upper horizontal pole against which the French Wall Mesh Panel will stand. Position this joint approximately where you wish the French Wall panel to be located. See cut-away diagram below.



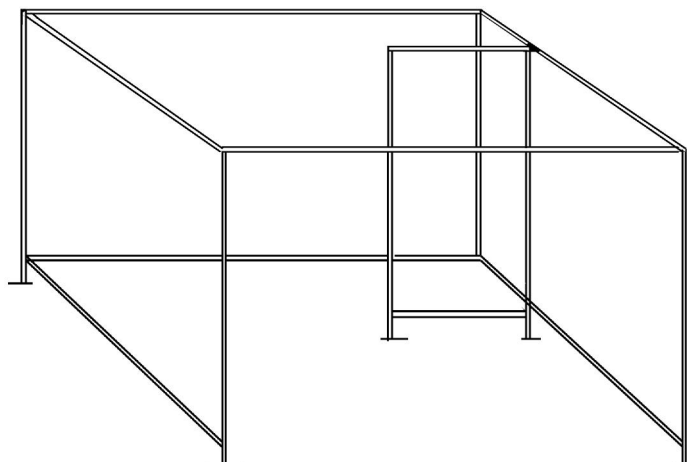
2. Complete the assembly of your Mesh Panel booth frame as per booth frame instructions.
3. Attach all 10-ft (and 8-ft) wide Mesh Panels (and their Pro Gallery Covers). Refer to your Mesh Panel setup instructions. This is best done BEFORE assembling the French Wall framework.

4. Assemble two Legs, as seen in illustration at left. Slide StaBar Ell joints - arrows facing down - onto the leg bottoms, and complete the assembly by inserting a foot onto the bottom of each leg. Insert one of the assembled legs into the Offset Leg Joint.
5. Slide the Ell Joint onto the RED-coded pole, then insert the other end of the pole into the open barrel of the offset leg top joint.
6. Insert the second leg assembly into the open barrel of the Ell joint.

Note: If small adjustments in the height of the French Wall legs are needed, the snap buttons in the offset leg top and the ell joint may be pushed in, allowing the leg poles to move into proper alignment. After this is done, use the thumbscrew on the ell joint to secure the leg pole in place.



7. Insert the remaining RED-coded pole into the open barrel of one of the remaining StaBar Ells, then into the other StaBar Ell. The completed frame should look like this:



8. Attach 4-ft Mesh Panel as per Mesh Panel assembly instructions, and Pro Gallery covers as per cover instructions.