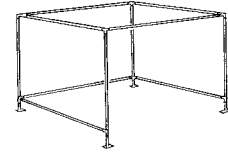


Mesh Panel Booth Frame  
For Use Indoors with your E-Z Up Mesh Panels

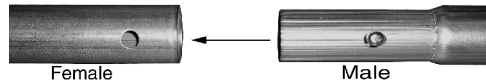
Instructions for Assembly

Parts List - Poles:

- (11) Male Pole Sections - 61"
- (7) Female Pole Sections - 56 ¼"
- (4) Leg Bottoms – 24" Female Pole Sections



Male and female pole sections click together to make (7) 114 ½" poles (horizontal) and (4) 82 ¼" legs.

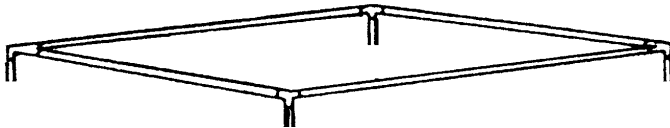


Connecting Hardware:

- (4) 3-Way Joints
- (2) Stabar Ell Joints
- (23) Thumbscrews
- (4) Canopy Feet
- (2) Stabar 3 Way Joints
- (6) Ball Bungees (for bundling poles)



1. Connect male and female pole sections. This will give you (7) 111 ½" Horizontal poles, and (4) 82" adjustable legs.
2. Lay (4) 111 ½" poles out in a square, and then connect the four poles to the four 3-Way corner joints. Be sure the open corners of the 3-way Joints face upwards. If you are using one or more French Wall Panels, install the offset leg joints at this time (as described in step 1 of your French Wall instructions).



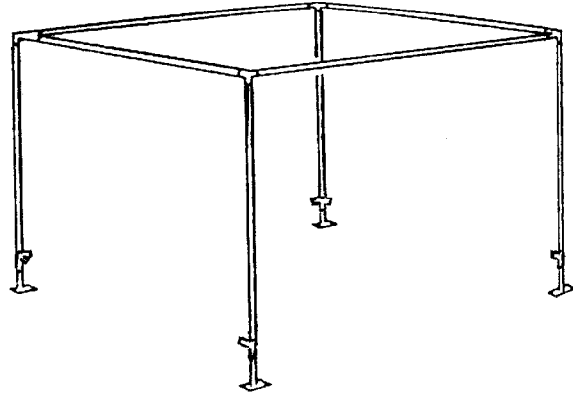
3. Assemble four legs using the four 61" male poles, 24" female poles, foot joints, and Stabar joints (see sidebar illustration). Slide a Stabar Ell onto each of two legs and a Stabar 3-Way joint onto the other two legs. (White arrows point down on all Stabar joints). Slide a foot onto the bottom of each leg pole to complete the leg assemblies.



The next portion of the procedure can be done by one person but is easier with two people. Ask a neighbor for a hand (It will only take a minute).

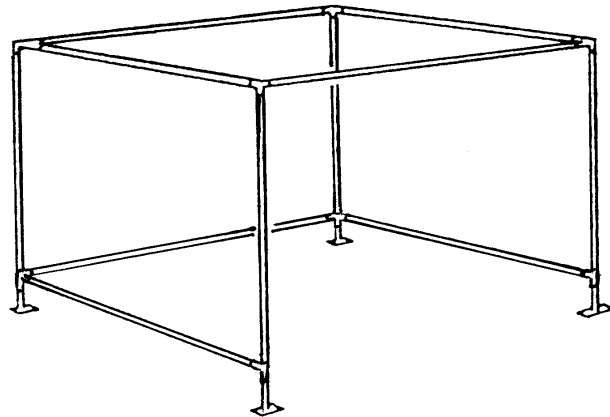
4. With each person holding a front leg (the ones with Stabar Ells attached), Lift the front two corners of the frame, and insert a leg into each of the front corner joints. Then, lift the rear corners of the frame, and insert a leg (with Stabar 3 Way attached) into each of the rear corner joints.

The Frame should now look like this:



5. Attach Stabar poles (lower horizontal poles) to the frame by inserting the poles into the Stabar joints until they click into place. Attach the rear pole FIRST, then the sides.

This completes the basic frame:



To install your Mesh Panel display walls, follow the setup instructions included with your Mesh Panels. To add a French Wall frame to your basic frame, refer to your French Wall instructions.