

## INSTRUCTIONS FOR **TRIMLINE** AWNINGS

Your awning may be attached to any side of the Canopy.

### PARTS LIST:

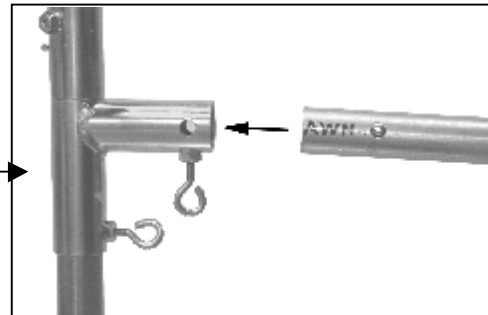
- (2) LD Ell joints (Black arrows)
- (2) Awning Ell Joints
- (4) Thumb-screws
- (7) 6" White Ball Bungees
- (2) Poles (coded AWN) - snap-buttons at each end
- (1) Male pole section – 61"
- (1) Female Pole Section – 58 1/4"
- (1) Vinyl Awning Cloth with grommets and zippers



1. When assembling the canopy, before attaching legs to canopy frame, slide LD Ell joints onto the upper leg sections of the two legs on the side with the awning (black arrows point down). Loosely tighten thumbscrews in any position near the middle of the pole. →

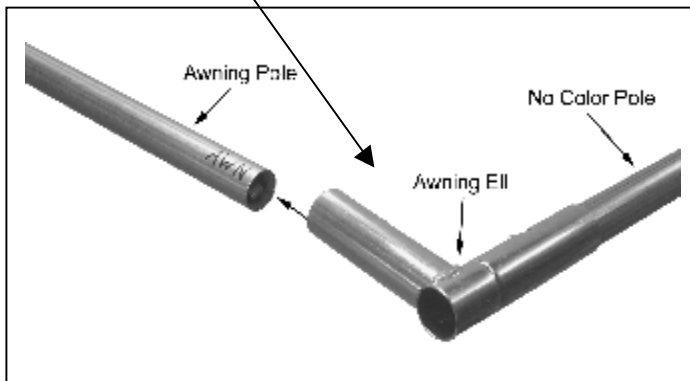
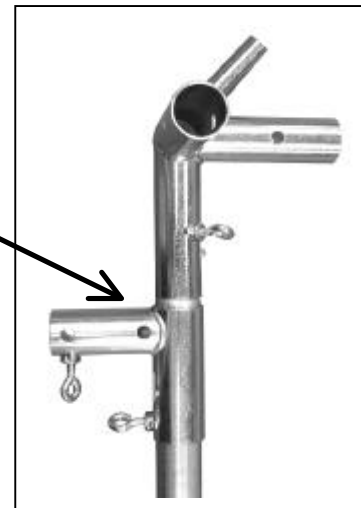
2. Complete assembly of the Canopy.

3. Slide the LD Ell joints to the top of legs. Face them pointed outward and finger tighten the thumbscrews. Slide the "AWN"-coded poles onto the Ells. →

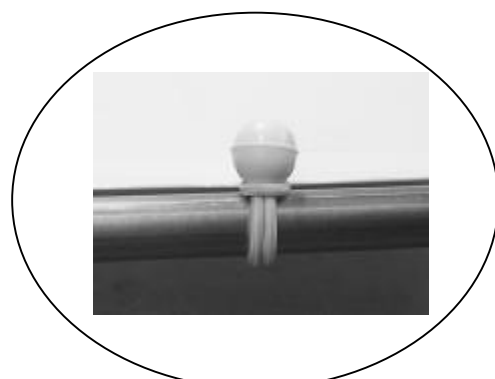
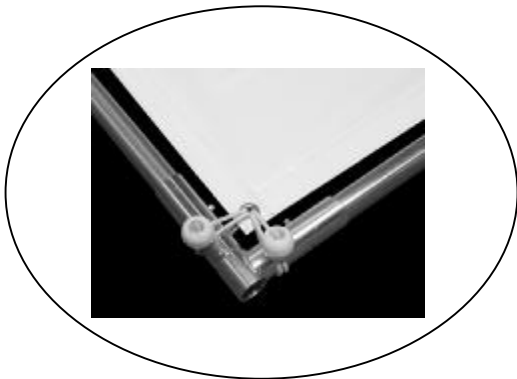


4. Attach Awning Ells (no arrow, no thumbscrew) to a no-color 116 1/2" pole. Slide Ells onto protruding Awning poles to complete frame.

Note: Do not slide your LD Ells off the leg and onto the corner joint. The LD Ell should be positioned as pictured, no higher. →



5. Zip Awning cloth to canopy roof (same zipper as you would use to attach a side-wall) and secure velcro straps to the upper horizontal pole of the canopy. Adjust the corner velcros so that the awning doesn't push the roof valence up. Use ball bungees as shown in the diagram on page 2 to secure awning cloth to outer awning pole.



6. There is a second zipper on the Awning to which you can zip your regular sidewall. This permits closure of the canopy when the Awning is in place, although you will **NOT** be able to zip the walls to each other on the outsides of the legs. There are several possible arrangements when the awning is installed and the canopy walls need to be in place.

- Use your wind straps to hold the wall in place during business hours, and take the awning down overnight (recommended)
- Zip the walls together to the **insides** of the canopy legs.
- Purchase our **optional awning zipper strips**, which attach to your canopy sidewalls, and allow the walls to be zipped up with the awning in place – price: \$17 each for 7' wall height TrimLines.

7. If the awning does not permit enough height clearance, we suggest that you raise the entire canopy slightly (1 or 2 notches up on the Telescoping Leg ).

8. If you are using awnings on adjacent sides of your canopy (ie., front and side), you may opt to substitute a 3 way joint for one or more LD Ell joints to allow setup of two or more awnings. See picture for placement of the substituted 3 Way joint.

